

# Harmonic Reduction And Efficiency Improvement Of IPFC By Using Fuzzy Logic Controller

R. Jayachandra<sup>1</sup>, Prof. G. Tulasi Ram Das<sup>2</sup>

<sup>1</sup>Research scholar

<sup>2</sup>Ph D

**Abstract:** Annoyances and disappointment of stopping client load home hardware are because of deviations from the best waveform. Power quality corrupts while it voyages an extended separation from the power source to the stop customer, and broad usage of energy reasons central framework inconveniences, resulting in energy outstanding difficulties. Adaptable AC transmission framework (FACTS) gadgets should be introduced in the matrix to make the framework extra strong and equipped for gathering contemporary requirements. The present-day FACTS gadget is the interline energy float regulator (IPFC), which makes up for each exuberant and responsive power in multi-line structures. The IPFC converters are basic since they'll be altered to change the power float among the strains. This exploration looks at hysteresis and relative thunderous voltage regulators to a flowed IPFC with a fluffy presence of mind regulator. The fluffy good judgment regulator could likewise effectively conquer a portion of the significant thing deterrents of regulators, including customary nation slip-ups and converter reference checking, resulting in a productive gadget that can be used for a tremendous scope of lattice bundles. An assessment of controlled calculations is accomplished as an incredible method for picking the greatest suitable regulator that guarantees framework soundness. Complete Harmonic Distortion (THD) is diminished and voltage profile is kept up with the IPFC with a fluffy decent judgment regulator. The presentation of the IPFC and its control way to deal with better dynamical offset is checked with the guide of MATLAB reproduction results.

**Keywords:** FACTS gadgets, interline power float regulator, staggered inverter, control calculations, voltage supply converter, fluffy rationale regulator.

## INTRODUCTION

Power is at the coronary heart of edified life. It very well may be extremely fundamental in the in-vogue world. The interest in strength has raised as the period has moved along. In earlier hundreds of years, mankind, as a general rule, confided in coal, oil, and flammable gas for power, yet this finished in extraordinary contaminations [1-3]. Subsequently, the contemporary world areas a top class in environmentally friendly power and energy conveyance.

Most of the concentrates eventually in the past two or three years have zeroed in on lattice combination or the blending of sustainable power sources with the framework. The intention is to verify that the coordination of these assets no affects the power machine's

steadfastness, trustworthiness, or strength best [4,5]. The inverter is responsible for connecting inexhaustible strength assets to the network gadget.

The matrix-connected inverter has been a point of convergence of exploration since it's far expected to control lopsided voltage or present-day, upgrade energy parts, give a consonant remedy, and make up for unequal and twisted non-sinusoidal voltage into the network [6,7]. Numerous PQ (energy top-notch) issues, which incorporate voltage lists, voltage swell, and sounds, have been given because of numerous other natural outcomes on the framework. Large numbers of these difficulties have been settled by utilizing FACTS (Flexible AC Transmission System) gadgets.

The FACTS further develop the electrical transmission organization's controllability and energy move limit [8,9]. Realities devise blast network transmission excellent and reliability. They decline the worth of solidarity conveyance and blast network proficiency. They are separated into two classifications: series remuneration and shunt reimbursement. Extra-High Voltage (EHV) lines benefit from assortment reimbursement. Any place fundamental, the capacitor is attached in series with the organization. This lifts transmission capacity even as likewise upgrades machine balance.

The series repayment might be utilized to brighten a framework, expand the power switch, and diminish misfortunes by including another line or changing an ongoing circuit. These gadgets' crucial capacities comprise power to float the executives in transmission lines, brief security, and voltage control, among others. Due to its capacity for synchronous administration of multi-line frameworks, the IPFC (interline energy stream regulator) has become a recognized acknowledgment of exploration lately. For a FACTS gadget, the IPFC goes about as a succession repayment.

A high-level voltage-obtained converter (VSC) based FACTS regulator, the Interline Power Flow Controller (IPFC), contains voltage-obtained converters (VSCs) put in series in transmission follows, whose DC capacitors are coupled to such an extent that energetic strength might be communicated among the two VSCs. The Master VSC has full dynamic and receptive power controllability, even as the Slave VSC has the best certificate of control adaptability. Both the Master and Slave lines of an IPFC are successful in managing energy streams.

Due to the heap's symphonious impact on the transmission machine, consonant change is vital. Different administration systems [10,11] are utilized to modify sounds, however, those administration strategies have a couple of disadvantages, along with the inability to exact for the whole voltage droop, they need very capacitors on the DC hyperlink, vivacious strength all through reimbursement, and a high DC interface score [12]. Music is made regularly by nonlinear hundreds at the machine, and these frequencies are the inventory of force pleasant issues.

By managing and changing ac power, strength converters play an urgent capacity in giving electrical burdens. These converters, notwithstanding the contraption's nonlinear hundreds, are the main asset of power contamination and unfortunate energy top-notch [13,14]. Voltage music is made using current sounds. Current music changes the source voltage. Subsequently, lesser source rudeness brings about lower voltage music. Since contemporary inside the machine will increment because of sounds, and this affects the electrical gadget, additional plan concerns should be viewed as on account of nonlinear burdens.

This study contrasts a flowed IPFC and fluffy rationale regulator against hysteresis and relative thunderous voltage regulators. The fluffy sound judgment regulator might have the option to without issues win over some of the essential requirements of regulators, which incorporates steady nation blunders and converter reference following, bringing about a productive machine that might be used in an assortment of frameworks applications. The IPFC with fluffy rationale regulator decreases general symphonious bending (THD) even as keeping voltage profile. MATLAB re-enactment outcomes suggest the viability of the IPFC and its control technique for ventured forward dynamical consistency.

### **IPFC STEADY-STATE DISPATCH:**

A transmission line IPFC is comprised of basically a series VSCs. Every converter produces an immovable three-stage yield voltage that can be made due, and the converters' DC capacitors are connected, permitting energetic power exchange. The IPFC is the most recent and high-level FACTS, regulator. It is produced using voltage-oversaw resources that are connected back to the lower back and extent a DC hyperlink. The IPFC is a succession repaying gadget, as a result of this that each line is repaid utilizing an inverter. Static coordinated assortment compensators, in various words, play a fundamental situation in power transmission along the strains to which they're connected. Figure 1 portrays the IPFC conspire, wherein both repaying inverters are coupled at their DC terminals. Notwithstanding series responsive repayment, this geography allows the inverter to control the vehicle of genuine power from its line to the DC

association. Underutilized lines' more noteworthy energy is utilized to make up for lost time with genuine power misfortune in various lines. Over-burden strains are furnished with genuine and responsive solidarity to oversee contraptions, tantamount to a bound together power taking the path of least

resistance regulator, thusly (UPFC). This popular methodology upholds a genuine strength change from over-burden to underloaded follows; nonetheless, strength solidness on the normal DC association should be upheld through reasonable administration states.

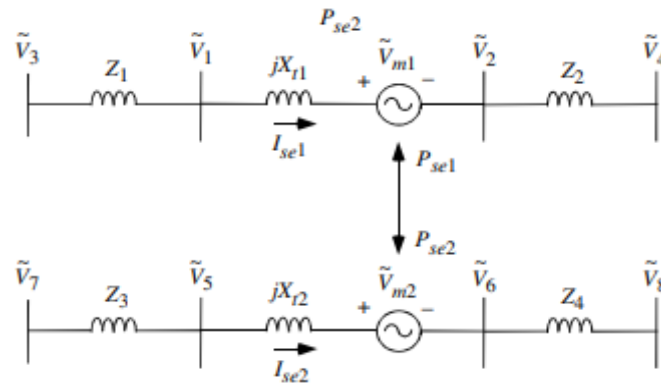


Fig. 1. Injected Voltage-Sourced Model of IPFC

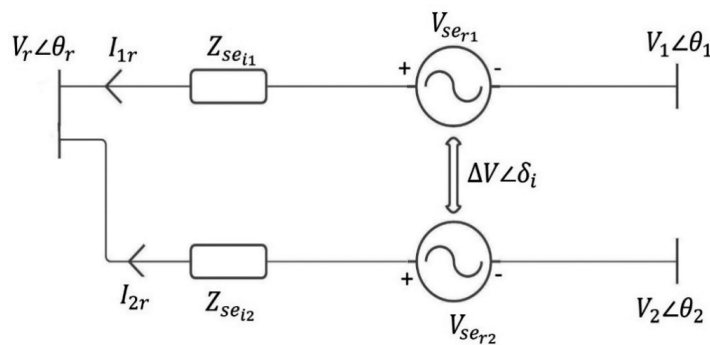


Fig. 2. IPFC power injection model

To keep consistent DC transport voltage, energetic power across the DC interface must be saved to a base. The dynamic power conveyed in the line is portrayed in Equation (1). The energetic strength drift requirement through the DC transport is addressed via condition (2). The voltage sizes at each finish of a line are Vs and Vr, and the part points are θs and θr individually. The infused voltage ΔV

has a section mentality of δi. Dynamic power through the DC hyperlink should be zero to safeguard reliable DC voltage. At the point when the dynamic strength is furnished with the guide of one line approaches the dynamic energy given utilizing a different line, that is performed. The point of the series gadget is connected with the enthusiastic energy-infused/ingested with the guide of Equation (1).

$$P_{se_i} = (\Delta V_i \cdot V_s \cos(\delta_i) + \Delta V_i^2 - \Delta V_i \cdot V_{ir} \cdot \cos(\delta_i - \theta_{ir})) G_i + (\Delta V_i \cdot V_s \sin(\delta_i) - \Delta V_i \cdot V_{ir} \cdot \sin(\delta_i - \theta_{ir})) B_i, \tag{1}$$

$$P_{se_1} + P_{se_2} = 0, \tag{2}$$

$$\delta_{i \max P} = a \tan \left( \frac{V_{ir} \cdot G_i \cdot \sin(\theta_{ir}) - V_s \cdot B_i + V_{ir} \cdot B_i \cdot \cos(\theta_{ir})}{-V_s \cdot G_i + V_{ir} \cdot G_i \cdot \cos(\theta_{ir}) - V_{ir} \cdot B_i \cdot \cos(\theta_{ir})} \right). \tag{3}$$

Vr, V1 and V2 are the confounded transport voltages on the transports r, 1, 2, individually. They are depicted as Vi = Vi∠θi (i = r, 1, 2). Client n is the

muddled, controllable, assortment infused voltage source, characterized as User n = Vser n ∠θser n where n = (1, 2). The impedance of the assortment

infusion transformer is addressed via User  $n$ . The power infusions at transports are summed up after

$$P_{inj,r} = \sum_{n=1,2} V_r V_{se,r,n} b_{rn} \sin(\theta_r - \theta_{se,r,n}), \quad (4)$$

$$Q_{inj,r} = - \sum_{n=1,2} V_r V_{se,r,n} b_{rn} \cos(\theta_r - \theta_{se,r,n}), \quad (5)$$

$$P_{inj,n} = -V_n V_{se,r,n} b_{rn} \sin(\theta_n - \theta_{se,r,n}), \quad (6)$$

$$Q_{inj,n} = V_n V_{se,r,n} b_{rn} \cos(\theta_n - \theta_{se,r,n}). \quad (7)$$

$$\operatorname{Re}(V_{se,r,1} I_{1r}^* + V_{se,r,2} I_{2r}^*) = 0. \quad (8)$$

$$\sum_{m=r,1,2} P_{inj,m} = 0. \quad (9)$$

$$P_{nr} - P_{ri}^{\text{spec}} = 0, \quad (10)$$

$$Q_{nr} - Q_{nr}^{\text{spec}} = 0. \quad (11)$$

$$P_{rn} = \operatorname{Re}(V_n I_{nr}^*), \quad (12)$$

$$Q_{rn} = \operatorname{Im}(V_n I_{nr}^*). \quad (13)$$

$$P_{\text{gen},m} + P_{inj,m} - P_{rm} - P_{\text{line},m} = 0, \quad (14)$$

$$Q_{\text{gen},m} + Q_{inj,m} - Q_{rm} - Q_{\text{line},m} = 0. \quad (15)$$

### Five Level Cascaded H-Bridge Inverter:

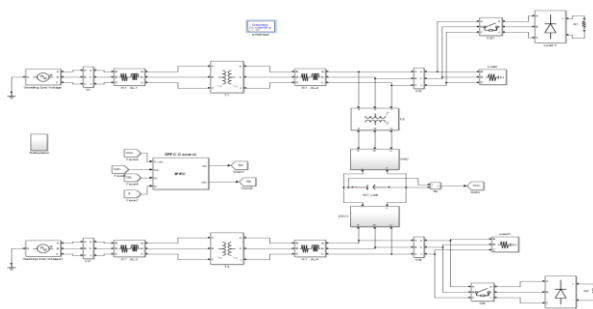
Various geographies exist dependent absolutely upon qualities comprising of overseeing adaptability, particularity, the number of switches and their necessities, etc. Suitable geography is picked fundamentally founded on utility necessities. The misfortunes up push as the scope of switches will increment; accordingly, insurance circuits and door rationale force devices should be covered [15-17]. Consequently, 5 degrees flowed H-Bridge inverter is proposed in this exploration to defeat those misfortunes. The flowed multi-degree inverter is made of various full-span inverters related in series, each with its own DC transport. Each phase of 4 switches makes five exceptional voltage yields when utilized in assorted combos with DC information and AC yield (+2Vdc, +Vdc, zero, -Vdc, -2Vdc). An M-level inverter's result is the number of all individual inverters' results. From the AC viewpoint, H-span cells are connected in lined up with gain medium voltage with low sounds. Control procedures: Several PWM approaches

ignoring the opposition of the assortment coupling transformer and transmission follows.

[18] are utilized to control the inverter. The resulting voltage of the gadget has been overseen by the use of control calculations. They order inverter switches by utilizing creating exchanging markers [19]. There is a spread of control strategies, alongside sinusoidal heartbeat width balance (SPWM) and space vector regulation (SVM) [20], which can be classed in light of a few measures [21]. To overcome network aggravations and vulnerabilities, a suitable regulator should be picked. Different advanced control procedures [22] are being created by scientists. Corresponding (P), relative side project (PD), relative incorporation (PI), and relative urgent subsidiary (PID) are the 4 most basic regulators (PID). The control standard [23-26] depends on them. The corresponding quintessential (PI) regulator is utilized to obtain zero consistent country bungles. Its drawbacks, of course, come from its futile consolidation general presentation movement. Its unsettling influence dismissal abilities are confined and uncovering a sinusoidal reference without causing steady-

state inaccuracy can't. Controlling with hysteresis is a nonlinear methodology. Since those regulators track blunders among estimated and reference voltages, gating pointers principally founded on reference tracks are made. Various present regulators are hysteresis control and PR control. The hysteresis regulator's key benefits are its rapid brief reaction, low cost, and simplicity of execution. It has a couple of limits, alongside the absence of capacity to produce sub-consonant parts. The exchanging recurrence will increment because the tweak file diminishes, making a sign disappear from the hysteresis area on each event the 0 vectors are becoming on, bringing about an exchanging recurrence variation. The corresponding in addition to reverberation (PR) regulator [26], which has the homes of a twofold integrator, enjoys the boundless benefit at a given recurrence (reverberation recurrence) and has no weakening external this recurrence, transformed into made to keep away from the hindrances of the hysteresis regulator. Because of its unrivaled exhibition, the PR regulator has come to be one of the greatest famous regulators in contrast to the PI regulator [27]. It can dismiss low-request music on account of its capacity to accomplish an unnecessary key recurrence. It additionally aids the decrease of network music. The PR regulator presents a limitless increase at a particular full recurrence to put off the steady-state incorrectness. One of the greatest huge advantages of this regulator is that it wipes out the prerequisite for organizing framework change while controlling AC alarms. Subsequently, the PR regulator is appropriately legitimate to inordinate general execution power brilliant applications. Albeit the PR regulator has a few obstructions, including limitless advantage r, recommend benefit hybrid, it becomes dangerous, a fluffy rationale regulator is created in this work. Fluffy Logic Controller: Despite normal

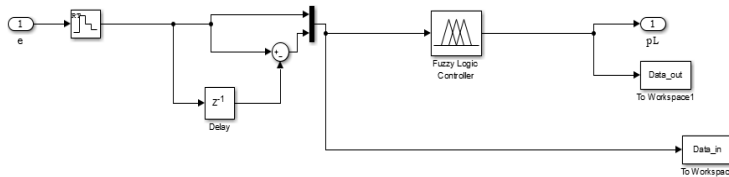
administrative methodologies, which may be factor-to-factor, fluffy rationale controls are range-to-factor or assortment to assortment. Fuzzifications of the two sources of info and results in the utilization of associated participation capacities produce the result of a fluffy regulator. The reason for its expense is a fresh passage may be switched over completely to various people of the connected enrollment highlights. A fluffy rationale regulator's result depends absolutely on its enrollments, which might be the idea as a fixed of contributions from this demeanor. Fuzzification, derivation, and defuzzification are each of them a piece of FLC regulators. The FLC's feedback is changed squarely into an enrollment include. The participation trademark is matched with the guideline base. It recognizes the error and adjusts it, following inside the favored result. The proposed device utilizes the Mamdani Fuzzy model. **Reproduction Results:** The fundamental recreation outline is displayed in Figure three. It portrays a machine with two transmission lines that the IPFC joins. The sending stop voltages  $V_{s1}$  and  $V_{s2}$  are 33 kV, and the voltage is ventured down to eleven kV by utilizing transformers T1 and T2 for each line. On the getting stop, these strains are connected with an inordinate energy load. VSC1 and VSC2, which are coupled to transmission follows through infusion transformers, contain the IPFC. The line opposition and reactance are R1, R2, XL1, XL2, L1, and L2. Voltage supply converters VSC1 and VSC2 are utilized. They are accustomed to pursuing two organizations together. Back-to-again DC transmission interface associations are utilized to associate more noteworthy organizations. The voltage source converter creates receptive power on the AC side, however, the genuine power added is outstandingly fair of it. Thus, each transport can autonomously deal with its AC voltage.



**Fig. 3. Simulation diagram of IPFC**

For this exploration, a test contraption is worked with the IPFC and a fluffy rationale regulator. Beats are dispatched to a five-degree inverter that is flowed. In the IPFC with a five-

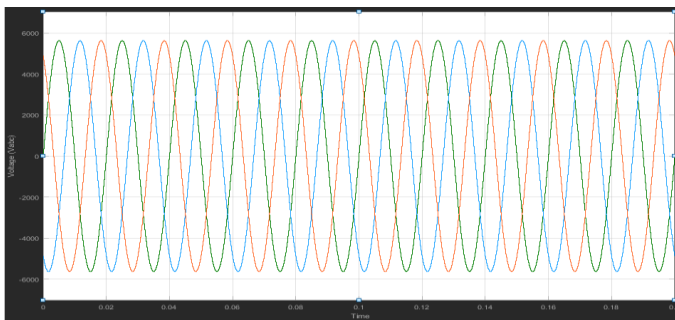
stage flowed inverter, the hysteresis regulator, PR regulator, and fluffy rationale regulator are looked at. The fluffy rationale regulator re-enactment chart is demonstrated in fig.4



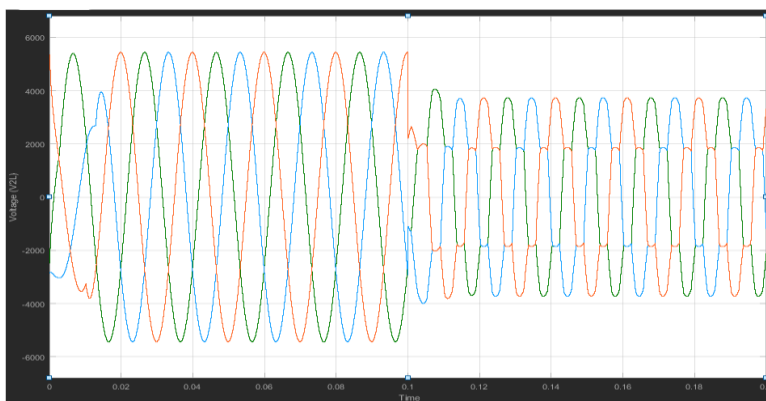
**Fig. 4. Fuzzy logic controller Simulation diagram of IPFC**

While the framework load is high and the IPFC isn't gifted inside the machine, the resulting voltage drops to six kV from the stockpile or

transmission voltage, as shown in the chart underneath. The voltage on transmission line 2 is in a like manner indistinguishable. This will exhibit its effect on the source. Subsequently, FACTS gadgets are used to dispense with this and balance out the voltage (Fig.5).

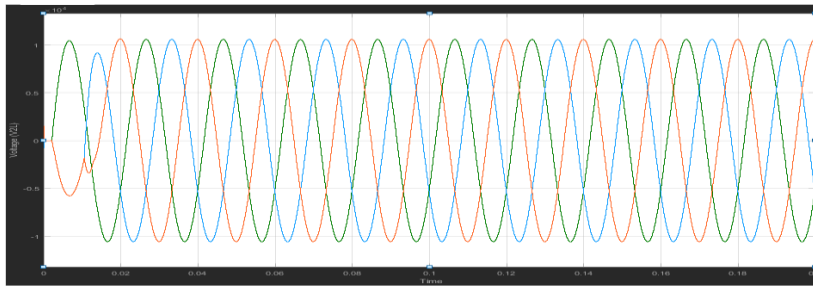


**Fig. 5: The voltage at the end of transmission line 1 when IPFC is not connected.**

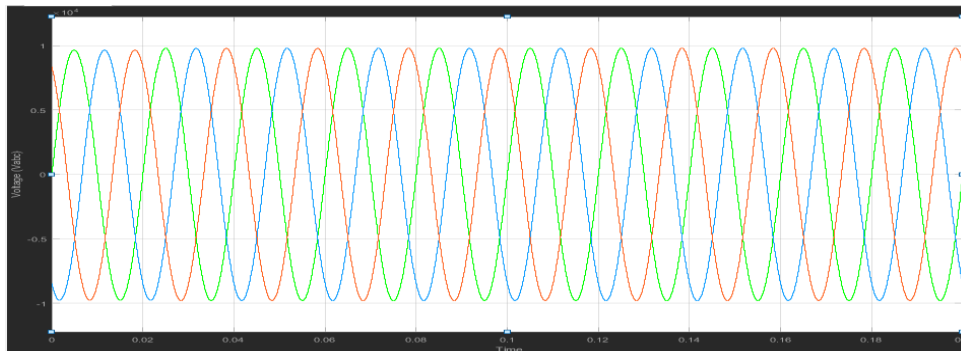


**Fig. 6. In the absence of IPFC, the voltage at the end of transmission line 1 when the load is quickly raised at 0.1 seconds.**

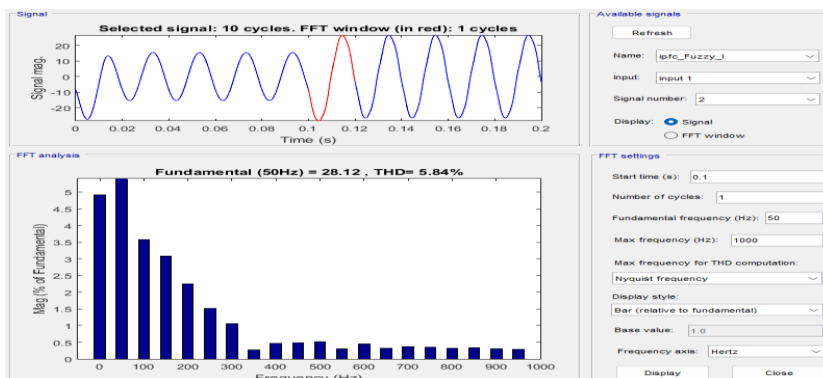
At the point when the heap is quickly raised at 0.1 seconds, and the framework is presently connected to the IPFC, the device might deal with the heap voltage inside the presence of the IPFC, further to the above example. The IPFC has made with the utilization of a fluffy decent judgment regulator for this situation. Regardless of whether the heap is suddenly raised at zero.1 second, the IPFC grants the device to achieve 11 kV voltage. Notwithstanding, there are minor sound gifts inside the contraption when the heap is suddenly extended, as seen in Figure7. Transmission line 2 has a comparative result too.



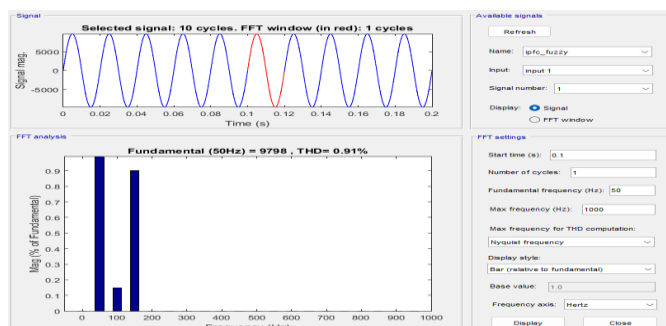
**Fig. 7.** The voltage of line 1 when the load is increased suddenly at 0.1 seconds in the presence of IPFC-PR



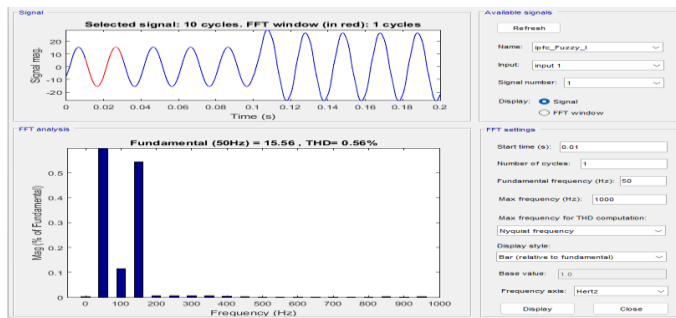
The voltage Voltage of line 1, when the load is increased suddenly at 0.1 seconds in the presence of IPFC-FLC



**Fig. 9.** THD of the system with IPFC-FCL when the load is increased suddenly at 0.1sec



**Fig. 10.** THD of the system with IPFC-FCL when the load is increased suddenly at 0.1sec



**Fig. 11. THD of the system with IPFC-FCL when the load is increased suddenly at 0.1sec**

The amount of voltage or current contortion provoked with the guide of sounds in a sign is called all-out consonant twisting. THD is one of the greatest basic components in strength designs, and it should be essentially as low as could be expected; it's far commonly said as a rate. Low symphonious contortions in power structures suggest decreased warming and low-level flows, inferring an astounding gadget. The IPFC is situated to investigate the use of an assortment of control procedures as well as various FACTS gadgets. The THD of

the IPFC with hysteresis, relative full regulators, and fluffy good judgment regulators all through the ordinary burden and quick vertical push in load is displayed inside the work area underneath. Whenever the IPFC is assessed with the hysteresis, corresponding resounding, and fluffy great judgment regulators, it's miles found that sounds on the IPFC with the hysteresis and relative full regulators are significant when contrasted with the thick rationale regulator at normal burden.

**TABLE I**

CONTROLLER	During normal load (%)		With th ith sudden increase in load (%)	
	V	I	V	I
Hysteresis controller	5.35	23	4.30	21.10
PR controller	1.67	9.13	1.75	9.11
Fuzzy logic controller	0.56	5.84	0.91	5.84

## Conclusion

Albeit the IPFC converters can be changed to adjust the energy skim between the following, they're essential. This view contrasts a flowed IPFC and fluffy rationale regulator against hysteresis and corresponding thunderous voltage regulators. The fluffy great judgment regulator can be capable without trouble to vanquish a portion of the key limitations of regulators, alongside consistent realm missteps and converter reference observing, following in a green machine that can be used in the dispersion of matrix programs. The greatest

appropriate regulator for guaranteeing device balance is chosen after an assessment of control calculations is embraced. The IPFC with a fluffy sound judgment regulator lessens all out symphonious twisting (THD) even as keeping a strong voltage profile. The utilization of a five-stage flowed inverter grants for adaptable strength switch between the organizations. With diminished symphonious substance material and simple result voltage, the IPFC is not entirely settled to be extra effective than the IPFC-PR in this examination. Thus, for voltage-related issues in transmission follows, the IPFC with the FLC regulator is leaned toward.



## References

- [1] Wai R.J., Wang W.H., Lin C.Y., High-execution Stand-Alone Photovoltaic Generation System, *IEEE Transactions on Industrial Electronics*, vol. 55, no. 1, pp. 240-250 (2008).
- [2] Rahman S., Green power: What is it and where are we ready to find it? *IEEE Power and Energy Magazine*, vol. 1, no. 1, pp. 30-37 (2003).
- [3] Narender Reddy N., Chandrashekar O., Srujana A., Power excellent upgrade using MPC based multi-stage control recruited with advanced molecule Swarm enhanced specific symphonies end, *Energy Sources, Part A: Recovery, Utilization, and Environmental Effects*, vol. 41, no. 19, pp. 2396-2414 (2019).
- [4] Tang Huiling, Wu Jiekang, Multi-objective coordination optimization strategy for DGs and EVs in appropriation organizations, *Archives of Electrical Engineering*, vol. 68, no. 1, pp. 1-10 (2018).  
Chandrashekar N., Chandrasekhar O., Srujana A., Power palatable upgrade in microgrids utilizing MPC-EKF, *International Journal of Engineering and Technology (UAE)*, vol. 7, no. Three, pp. 996-999 (2018).
- [5] Bauer P., Strzelecki R., Kaźmierkowski M.P., Multilevel Converters, *Bulletin of the Polish Academy of Sciences: Technical Sciences*, vol. 65, no. Five, 563-565 (2017).
- [6] Malinowski M., Cascaded staggered converters in late examination and projects, *Bulletin of the Polish Academy of Sciences Technical Sciences*, vol. 65, no. Five, pp. 567-578 (2017).
- [7] Zhang X.P., Rehtanz C., Pal B., FACTS-Devices and Applications, in *Flexible AC Transmission Systems: Modelling and Control*, Power Systems, Springer, Berlin, Heidelberg (2012).
- [8] Perez M.A., Messina A.R., Fuerte-Esquivel C.R., Application of FACTS gadgets to upgrade consistent state voltage security, 2000 Power Engineering Society Summer Meeting, vol. 2, pp. 1115-1120 (2000).
- [9] Kumar P., Application of truth gadgets for voltage security in a power contraption, 2015 IEEE Ninth International Conference on Intelligent Systems and Control (ISCO), pp. 1-5 (2015).
- [10] Mohamed K.H., Rao K.S.R., Intelligent enhancement systems for best energy drift the utilization of Interline Power Flow Controller, 2010 IEEE International Conference on Power and Energy, Kuala Lumpur, Malaysia, pp. 300-305 (2010).
- [11] Murthy V.N.S.R., Alagappan Pandian, Analysis of capacitor voltage balance inside the staggering inverter, *International Journal of Applied Engineering Research*, 12 (Special Issue 1), pp. 399-406 (2017).  
Prasada Rao K.V.S., Krishna Rao K.V., Bala Koteswara Rao P., Abishai T., Power extraordinary improvement framework related PV frameworks the utilization of the exorbitant move forward DC converter, *International Journal of Electrical and Computer Engineering*, vol. 7, no. 2, pp. 720-728 (2017).
- [12] Swapna Sai P., Rajasekhar G.G., Vijay Muni T., Sai Chand M., Power perfect and custom power improvement the utilization of UPQC, *International Journal of Engineering and Technology (UAE)*, vol. 7, no. 2, pp. 41-43 (2018).
- [13] Seetharamudu S., Pakkiraiah B., another converter geography intended for flowed h span fifteen phase inverter, *International Journal of Engineering and Advanced Technology*, vol. 6, no. 3, pp. 792-795 (2019).
- [14] Jyothi B., Venu Gopala Rao M., Performance assessment of 3-degree 5-segment staggered inverter geographies, *International Journal of Electrical and Computer Engineering*, vol. 7, no. 4, pp. 1696-1705 (2017).
- [15] Moulali S., Muni Vijay, Subrahmanyam Y., Kesav S., A Flying Capacitor Multilevel Topology for PV System with APOD and POD Pulse Width Modulation, *Journal of Advanced Research in Dynamical and Control Systems*, vol. 10, no. 2, pp. 96-a hundred and one (2018).
- [16] Ilhami Colak, Ersan Kabalci, Ramazan Bayindir, Review of staggered voltage supply inverter geographies and oversee plans, *Energy Conversion and Management*, vol. 51, no. 2, pp. 1114-1120 (2011).
- [17] Thomas Raghu, Reddy K., A Review on Fuzzy-GA based Controller for Power Flow Control Grid-Connected PV System, *International Journal of Electrical and Computer Engineering*, vol. 7, no. 1, pp. A hundred 25-133 (2017).
- [18] Babu G.S., Reddy R., Nittala R., Reddy K.S., Comparative Analysis of Control

Techniques for Interline Power Flow Controller, third International Conference for Convergence in Technology (I2CT) 2018, pp. 1-6 (2018).

[19] Radomski G., Control and balance procedures of voltage supply converter, Bulletin of the Polish Academy of Sciences: Technical Sciences, vol. 57, no. Four, pp. 323-336 (2009).

[20] Kabziński J., Orłowska-Kowalska T., Sikorski A., Bartoszewicz A., Adaptive, prescient, and brain processes in power mechanization and control of energy converters, Bulletin of the Polish Academy of Sciences Technical Sciences, vol. 68, no. Five, pp. 959-962 (2020).

[21] Zhang Yonglong, A Yuejun, Wang Guangyu, Kong Xiangling, Multi-engine brain PID relative coupling speed coordinated control, Archives of Electrical Engineering, vol. 69, no. 1, pp. 69-88 (2020) Prasad Raoao K.V.S., Yarra M.S., Maddi S.P.K., Comparative assessment of fluffy and PI regulator based two exchange buck-

increment converter for strength viewpoint adjustment, International Journal of Applied Engineering Research, 12 (Special Issue 1), pp. 294-301 (2017).

[22] Qader M.R., Identifying the most invaluable regulator technique for DC vehicles, Archives of Electrical Engineering, vol. 68, no. 1, pp. A hundred and one-114 (2019).

[23] Chilipi R., Al Sayari N., Al Hosani K., Beig A.R., Control conspire for matrix tied apportioned innovation inverter under lopsided and misshaped utility circumstances with energy outstanding auxiliary administrations, in IET Renewable Power Generation, vol. 10, no. 2, pp. 140-149 (2016).

[24] Shen G., Zhu X., Zhang J., Xu D., A New input Method for PR Current Control of LCL Filter-Based Grid-Connected Inverter, IEEE Transactions on Industrial Electronics, vol. 57, no. 6, pp. 2033-2041 (2010).

## AUTHORS



**R. Jayachandra** has obtained his M. Tech degree from JNTU Hyderabad. He has more than 10 years of teaching experience. He published 4 research papers at National & International level. He is presently a research scholar at JNTUH, Hyderabad Telangana. He is working in the area of FACTS Controllers & Algorithms.

**E-mail:** [saimedha.J@gmail.com](mailto:saimedha.J@gmail.com)



**Prof. G. Tulasi Ram Das** has obtained his M.E from Osmania University and Ph. D from IIT Madras. He has more than 30 years of teaching experience. He has published 151 research papers at National and International level. His research area is Industrial DriveFact's devices. Telangana, India.

**E-mail:** [das123tulasiram@gmail.com](mailto:das123tulasiram@gmail.com)